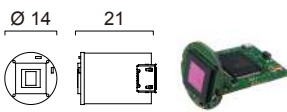


**Feature**

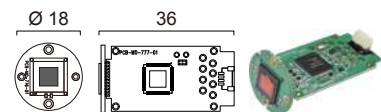
- 5.0 Megapixel Resolution
- High Sensitivity!
- High Performance.
- Outstanding Quality
- Built-In Microphone

**B5014**  
Board Type / No Lens



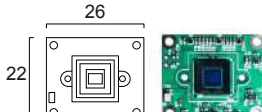
Ø 14 21

**B5018**  
Board Type / No Lens



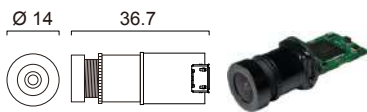
Ø 18 36

**B5026**  
Board Type / No Lens



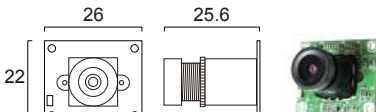
26 22

**B5014-3.0**  
Board Type / With 74° Lens



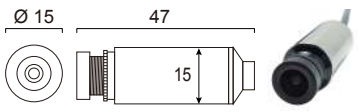
Ø 14 36.7

**B5026-3.0**  
Board Type / With 74° Lens



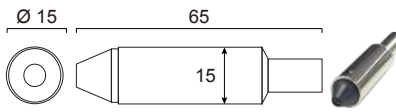
26 25.6 22

**T5015-3.0**  
Tube Type / With 74° Lens



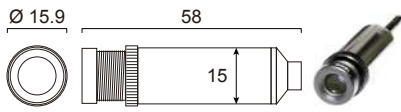
Ø 15 47 15

**T5015-10028**  
Tube Type / With 25° Lens



Ø 15 65 15

**T5015-1620**  
Tube Type / With 16° Lens



Ø 15.9 58 15

**Specification**

Model No.	B5014	B5018	B5026	T5015	B5214	B5226	T5215	B5414	B5426	T5415
Dimensions (mm)	Ø 14 x 21.3	Ø 18 x 39	22 x 26	Ø 15	Ø 14 x 21.3	22 x 26	Ø 15	Ø 14 x 28.4	22 x 26	Ø 15
Camera Type	Board Type			Tube Type	Board Type		Tube Type	Board Type		Tube Type
Sensitivity	5100 e- / lux-sec				690 mV / Sec			600 mV / Sec		
Dynamic Range	63 dB				72 dB			68 dB		
S/N Ratio	85 dB				36 dB			36 dB		
Image Area (mm)	3.651 x 2.744				3.6736 x 2.7384					
UVC Format	MJPEG / YUV									
Image Sensor	1/4" Digital CMOS Color Camera Module									
Resolution	2592 x 1944; 2048 x 1536; 1920 x 1080 1600 x 1200; 1280 x 720 @ 24 fps MJPEG 1024 x 768 ; 640 x 480; 320 x 240 @ 24 fps MJPEG; 30 fps YUY2									
Pixel Size (µm)	1.4 x 1.4									
Scan Mode	Progressive									
Shutter	Rolling									
Storage Temperature	-30 to 60 Degree C									
Working Temperature	-10 to 45 Degree C									
Power Supply	DC 5V									
Power Current	250 mA				170 mA					

**PC Requirements**

- Driver free (USB Video Class) for any OS (Win 10, Win 8, Win7, Win XP, Linus, Android) Play & Plug with USB Video Class
- Install MJPG decoder for Windows 7 [http://www.misumi.com.tw/download/mjpegcodec\\_3.2.4.zip](http://www.misumi.com.tw/download/mjpegcodec_3.2.4.zip)

- Camera parameter can be adjusted on the smartphone via the Misumi app and PC viewer software AMCAP. AMCAP: <https://amcap.en.softonic.com/> MISUMI APP: <https://reurl.cc/MA25Wm/>

NOTE for MISUMI APP:  
UVC Camera does not support Android 10



**MD-B5014L-3.0**

SERIES	CONNECTOR		CAMERA BODY
	M Basic	<b>UVC Signal</b> D USB 2.0 Type A M USB 2.0 Micro-B (OTG) T USB 2.0 Type C I USB 2.0 Mini-B	
DISPLAY			LED
Board Type	Color	B/W	Image Circle (mm)
	5014	-	
	5018	-	Ø 4.535
	5026	-	
	5214	52M14	Ø 4.582
	5226	52M26	
Tube Type	5414	54M14	Ø 4.54
	5426	54M26	
	5015	50M15	Ø 4.535
	5215	52M15	Ø 4.582
	5415	54M15	Ø 4.54
LENS			
Code	Specification	View Angle	
1028	1.05 mm / F 2.8	130°	
3.0	3.0 mm / F 2.0	74°	
8020	8.0 mm / F 2.0	31°	
10028	10.0 mm / F 2.8	25°	
Code	Specification	View Angle	
1220	12 mm / F 2.0	21°	
1620	16 mm / F 2.0	16°	
1780	17.5 mm / F 8.0	14°	

